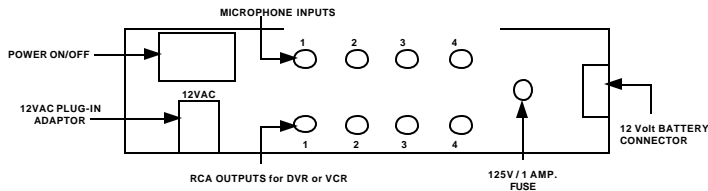
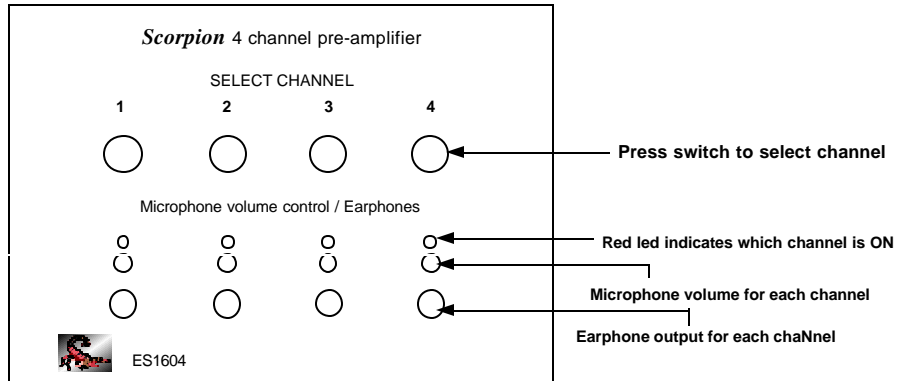


PLUG & PLAY

ES1604
4 CHANNEL
PRE-AMPLIFIER



POWERING-UP THE UNIT:

- The ES1604 can be powered-up with the AC adaptor (included) + a 12 Volt battery (not included) as back-up for power failure . A LED on the front panel of the housing indicates that the unit is powered-up (AC).
- Make sure that the microphones are installed away from noise such as; ventilation ducts , refrigerator,etc...
- The earphones, will help you to easily adjust each channel (microphone) of your unit.

WARNING

Before powering-up the ES1604 unit, make sure to hook -up all components, that is, the microphones, the RCA plugs, etc...